

# MOBILE PALLET TRUCK W/SCALE, PM-2748-SCL-LP

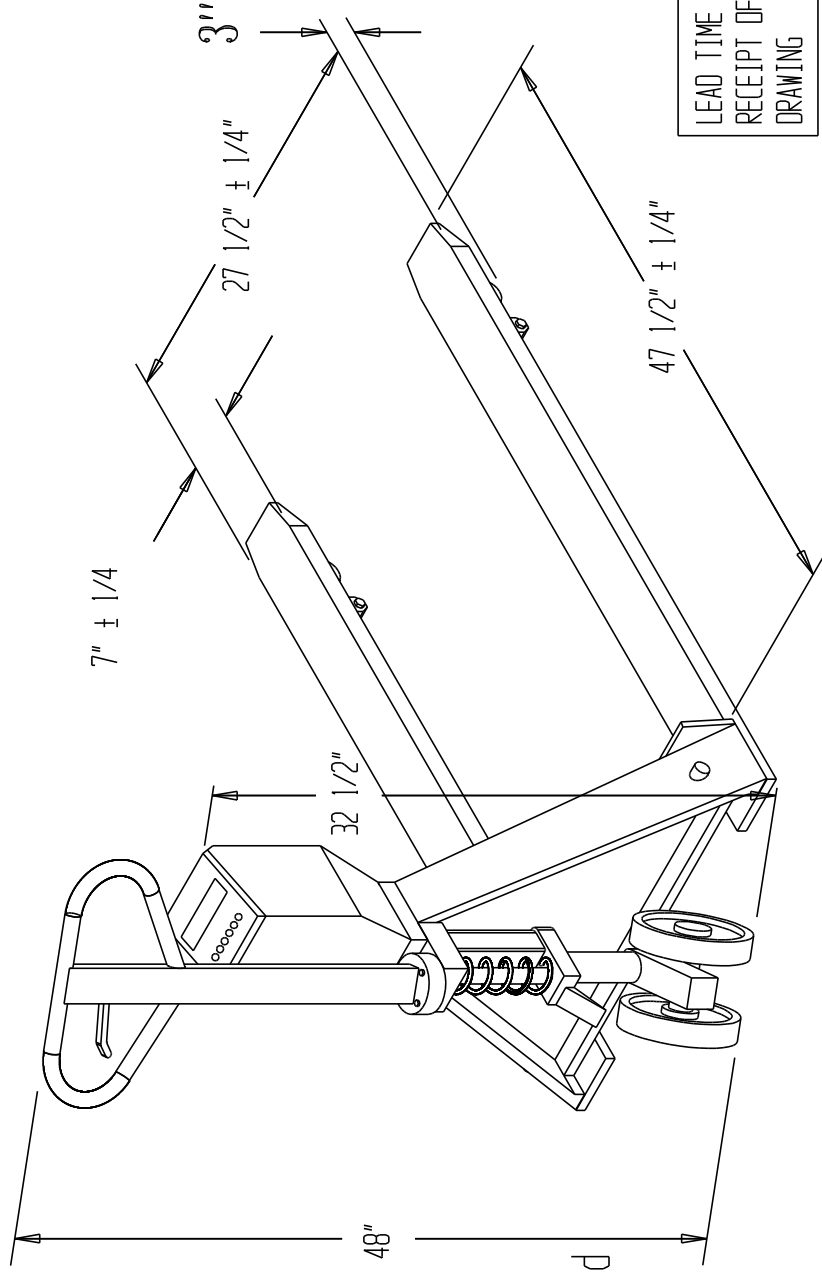
**NOTE:**  
THIS PRODUCT MAY NOT  
FIT SOME STANDARD  
PALLET.

MIN LOWERED HT 3

PLEASE VERIFY YOUR  
MINIMUM HT

\*\*SPECIAL UNITS ARE NON-RETURNABLE  
\*AVAILABLE AT ADDITIONAL COSTS

Read-out increment is 1/2 lb.  
Scale accurate to ± .01% of load



LEAD TIME WILL START UPON  
RECEIPT OF SIGNED APPROVAL  
DRAWING

## STANDARD FEATURES

- MODEL NUMBER: PM-2748-SCL-LP
- OVERALL LENGTH OF FORKS IS 47 1/2 ± 1/4 INCHES
- OVERALL WIDTH OF FORKS IS 27 ± 1/4 INCHES
- LOWERED HEIGHT OF 3 INCHES
- RAISED HEIGHT OF 7 1/2 INCHES
- CAPACITY IS 5,000 LBS.
- POLYURETHANE WHEELS
- WEIGHT SCALE MOUNTED ON UNIT

## SPECIAL FEATURES

NONE

\*\*Any additions, deletions or omissions must  
be corrected on this drawing, as this drawing  
will be considered all inclusive.\*\*

## APPROVAL

I, the undersigned, hereby approve this print  
[ ] As drawn [ ] As marked  
This includes my approval of design & dimensions.  
Signed: \_\_\_\_\_  
Date: \_\_\_\_\_

DISTRIBUTOR'S NAME:

**VESTIL MANUFACTURING**

P.O.#: -

W.D.#: -

DRAWN BY: - DATE: -

SALES: -

REFERENCE:

DRWG./FILE NAME:

SCALE: NTS

15-007-092-001

\*\*\* ALL GRAPHICS PROVIDED ARE FOR REFERENCE ONLY. IF CERTAIN DIMENSIONS  
ARE CRITICAL PLEASE VERIFY THOSE DIMENSIONS WITH YOUR SALESPERSON. \*\*\*